

# REDI™ KETTLE



**drew & cole™**

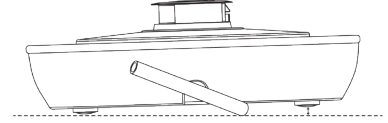
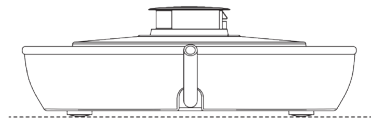
## **Instruction Manual**

Read the details before use

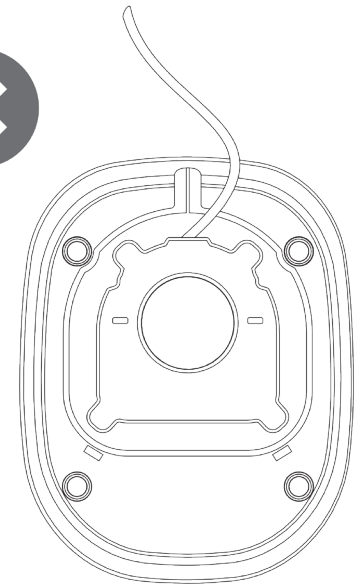
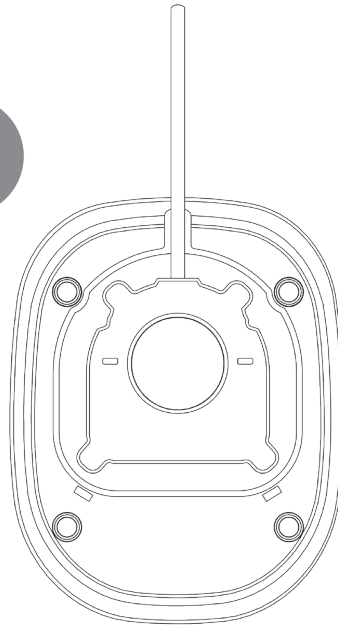
Model: HEK-1700-4H  
220~240V 50/60HZ 1850~2200W 1.7l

## BEFORE FIRST USES

- Read the instructions carefully and follow them.
- Position kettle base on flat surface ensuring power cable is positioned in channel.
- Remove the product lid
- Fill the kettle with water up to the maximum water level, replace lid
- Boil and discard water
- Repeat process twice.

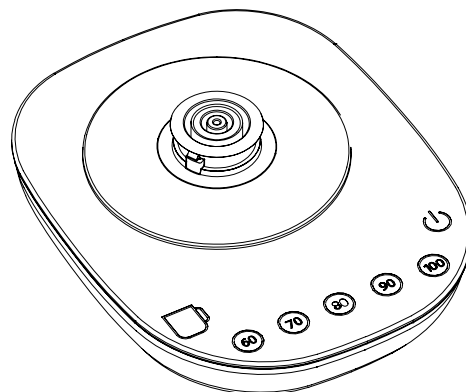
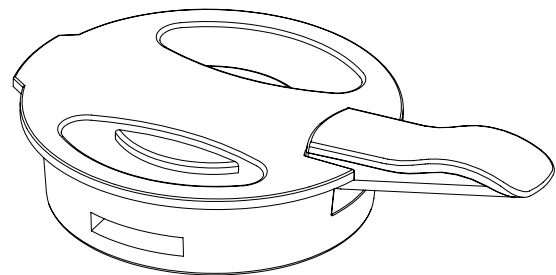
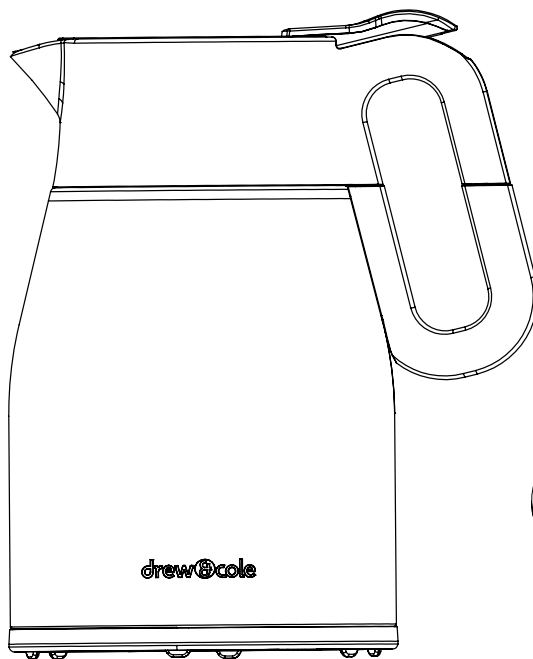


- Always ensure cable is in channel for cup counter to function. If cable is positioned out of channel, kettle base will fail to work and display error message "0".

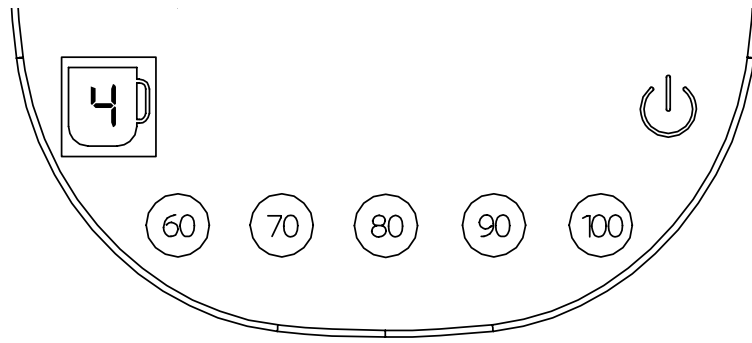


**Note:** this appliance's maximum water capacity is 1.7L.

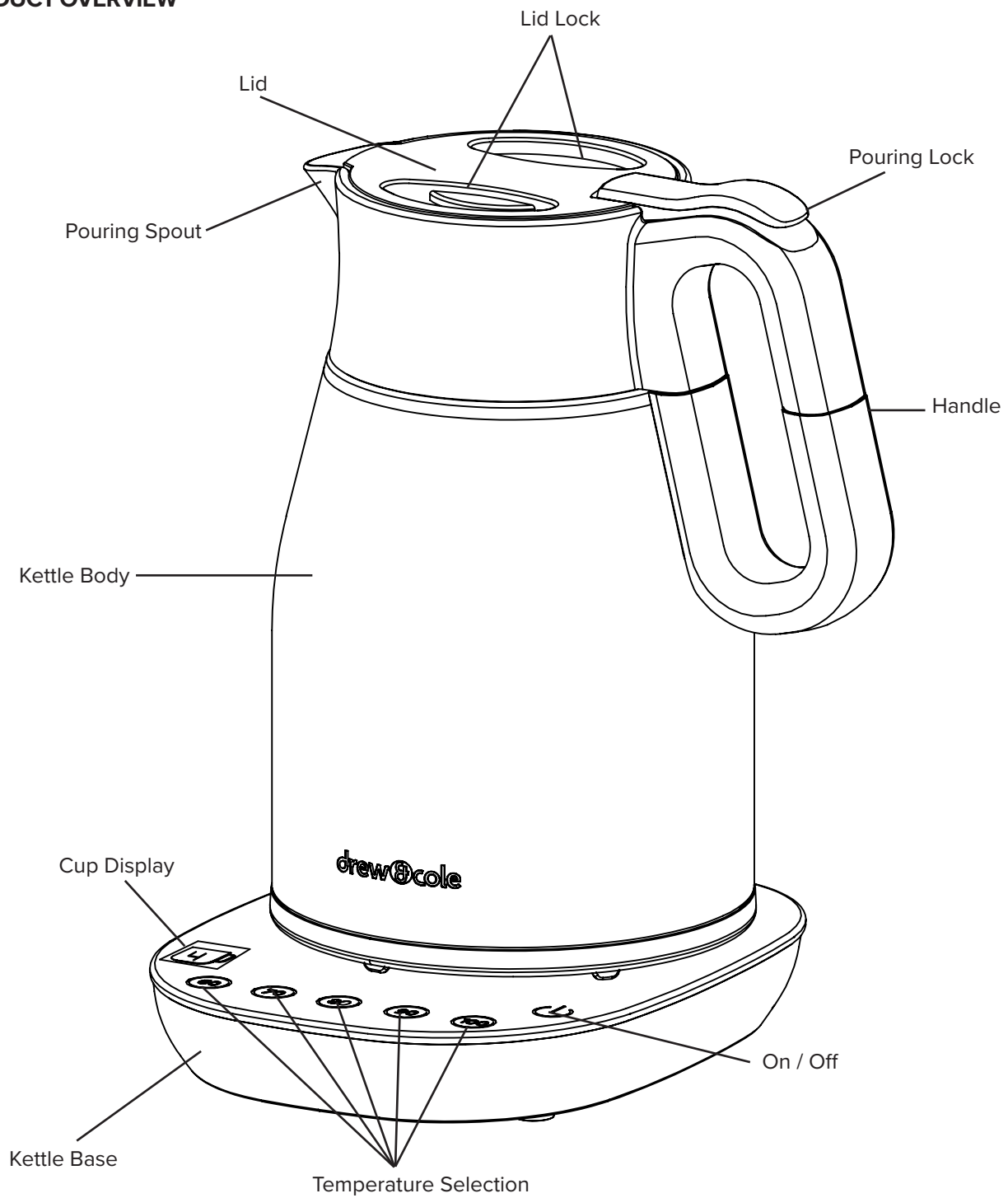
## WHAT'S IN THE BOX



## OPERATION PANEL



## PRODUCT OVERVIEW



## USER GUIDE

1. Place the kettle on a flat level surface.
2. The power cable is stored in the under side of the kettle base, select the desired length of cable ensuring it exits the base using the power cable channel.
3. To fill the kettle, remove it from the base, open the lid and fill with water. Ensuring the body and power base remain dry and clean.

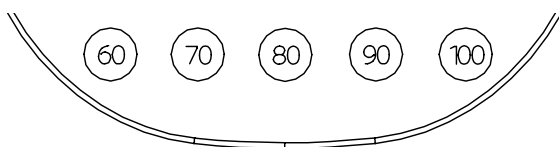
**Note:** DO NOT fill the kettle over the maximum level. Make sure the lid is closed firmly before connecting to power supply.

4. Place the kettle on the power base and connect to power supply.
5. The cup display will inform you how much water is present within the kettle

**Note:** Should you accidentally boil the kettle without water, boil-dry protection will prevent the kettle from boiling, the display will read E. Should you fill beyond the max line overflow protection will prevent the kettle from boiling, the display will read F.



1. Press the “Power” to power on the kettle base. Set the temperature by selecting the desired temperature (from 60°C/ 70°C/ 80°C/ 90°C/ 100°C).



2. The kettle will “beep” informing you it has started to boil. It will “beep” again at the end of the boiling cycle to inform you it has reached the selected temperature. As the kettle cycles through the temperatures a red light indicates current temperature and blue light indicates selected temperature. Once the kettle has reached the desired temperature the boiling cycle will end. At any time if you would like to top up the water temperature you just need to press the power button and select the desired temperature.
3. After boiling, lift the kettle from the power base, press and hold the pouring lock and pour the water.
4. **Note:** Do not open the lid when pouring the water, scald risk from hot water
5. Unplug the appliance while it is not in use, dry and clean it, and then place it on the base.

## CARE & MAINTENANCE

1. Always disconnect the kettle from the power outlet before cleaning. NEVER immerse the kettle or power base in water or allow moisture to come into contact with these parts.
2. Exterior cleaning: wipe over the exterior of the kettle with a soft damp cloth, and then wipe dry with a dry cloth.
3. **Note:** DO NOT use chemical or abrasive cleaners to clean inside the kettle.
4. Clearance of deposit: minerals in water may deposit at the bottom of kettle, which will influence the usability of the kettle. So periodical descaling is needed. Please use detergents according to its instruction. Or according to the following methods with white vinegar.
5. Fill the kettle with 3 cups of white vinegar, and then add water until it is over the deposit in the kettle and allow it to stand overnight.
6. Empty the solution from the kettle. Fill the kettle with clean water to the maximum level, discard after boiling. Repeat for several times until there is no remnants of vinegar.
7. When the kettle is in storage or not in use, do not fold the power cord.

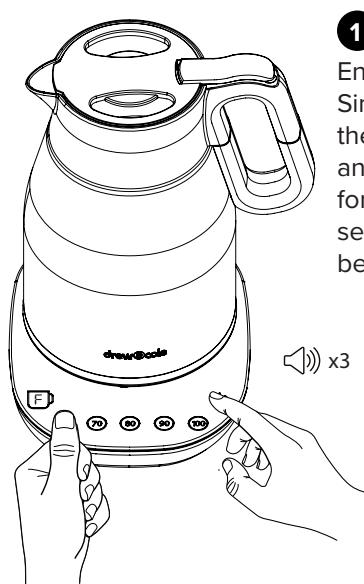
**Note:** After boiling the base will go into “stand-by” mode and the LED display will go out. If you wish to check current water temperature press on/off button and the temperature will be display.

**Note:** 4 hours heat retention is based on the testing of the kettle on maximum capacity (1.7L).

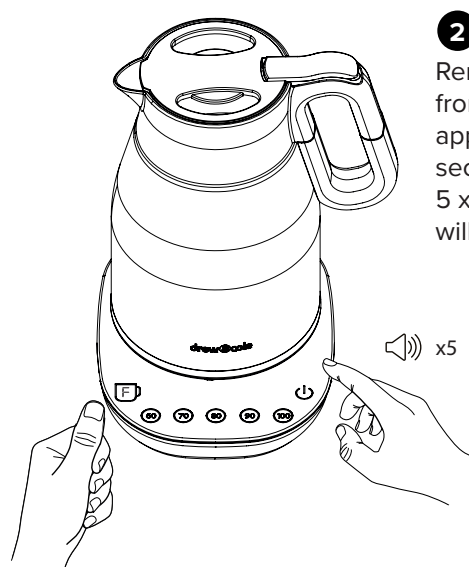
## PROBLEM SOLUTIONS

Issue	Cause	Solution
Steam escaping from lid	Lid not applied correctly on kettle	Reposition lid on kettle
Cup display displays E or 0	Not enough water in kettle	Add water
Cup display displays F	Too much water in kettle	Remove water
Kettle base has no lights illuminatated	Kettle base in standby mode	Press the on/off button once
Cup display displays 0 when water in kettle	The base is not on a flat surface	Ensure surface is flat and ensure the power cable is not trapped under kettle base
Cup display displays F when handle is being held	Your hand is adding pressure to the scale	Dont hold handle when kettle is boiling

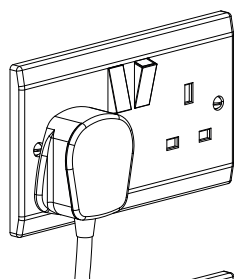
If when switching the kettle on at the mains the Cup displays "F", this indicates that the base needs re-setting. To do this please follow the below steps. Once re-set the base will function normally.



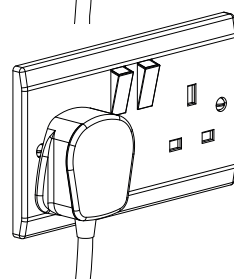
**1** Ensure Kettle is empty. Simultaneously hold the 60 degree icon and power button for approximately 4 seconds until audible beep sounds 3 times.



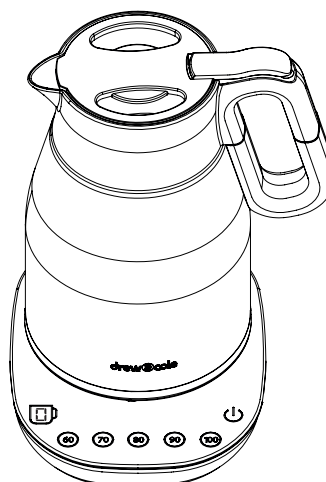
**2** Remove fingers from buttons. After approximately 6 seconds a further 5 x audible beeps will sound.



**3** Turn off power for 3 seconds



**4** Switch power back on



**5** Base unit should now flash '0'.

## IMPORTANT SAFEGUARDS

### SAFETY INSTRUCTIONS

Carefully read all instructions before opening the appliance and save for further reference

- This appliance is for household use only.
- The appliance may be used by persons (including children from 8 years on) with reduced physical, sensory or mental capabilities, or lack of experience or knowledge, if they have been given supervision or instruction concerning the use of the appliance. Children must be supervised to ensure they do not play with the appliance or any parts of the appliance or the packaging. Do not leave the appliance unattended, when it is in reach of young children. Even cleaning and user maintenance may not be performed by children without supervision.
- Do not attempt to use this appliance for any other than the intended use, described in this booklet. Any other use, especially misuse, can cause severe injuries or damage by electric shock, heat or fire.
- Do not leave the appliance unattended for any other than the intended use, described by this booklet. Any other use, especially misuse, can cause severe injuries or damage by electric shock, heat or fire.
- Do not leave the appliance unattended, when it is connected to the power supply.
- Any operation, repair and technical maintenance of the appliance or any part of it (e.g. exchanging any permanently mounted parts) other than described in the instructions may only be performed at an authorised service centre. Please contact the Customer Services Team.
- If the kettle is overfilled, boiling water may be ejected.
- If the supply cord is damaged, it must be replaced by the manufacturer, its service agent or similarly qualified persons in order to avoid a hazard.
- The appliance is only to be used with the kettle base provided.
- Keep the appliance and its cord out of reach of children aged less than 8 years.
- Avoid spillage on the connector.
- Don't use the kettle for any purpose other than heating water.
- The heating element surface is subject to residual heat after use.
- Do not operate the kettle on an inclined plane.
- Do not operate the kettle unless the element is fully immersed.
- Do not move while the kettle is switched on.

## GENERAL SAFETY INSTRUCTIONS

Do not operate or store the appliance in humid or wet areas or outdoors. This appliance is NOT intended for use in boats or moving vehicles. Do not use any accessories, attachments or spare parts not recommended by the manufacturer. Damaged or unsuited parts could cause cracks, distortions or leakage of hot water. Do not operate the appliance when the appliance or any part of it is likely to be damaged to avoid risk of fire, overflow, heat, electric shock or any other damage and/ or injuries to persons.

Only use the kettle in combination with the designated power base. Neither kettle nor power base may be used with any other parts of other appliances.

Check the water kettle regularly for any leakage. However, due to condensation, small amounts of moisture on the base may occur. This is normal. Regularly check the power base and power cord for proper operation. The pins of the plug and connectors in the middle of the power base and at the bottom of the kettle must be smooth and clean without any discolouration. Do not operate the appliance when any part of it is likely to be damaged or is not working properly.

Return the appliance to an authorised service centre for examination and repair, if the appliance is not operating properly or overheating, or was subject to inadmissible strain (e.g. overheating, mechanical or electric shock, moisture in the electrical connectors). Unplug the appliance immediately, when a severe problem occurs during operation (e.g. water overflowing, overheating). Do not attempt to open or repair the appliance on your own.

Operate the appliance on a well accessible, heat resistant, water-resistant, stable, level, dry and suitable large table or counter. Do not place the appliance on inclined surfaces, where it can tilt, overflow, or fall. Ensure that the base will stand stable, before placing the kettle on it and operating the appliance beneath or below any heat-sensitive or moisture-sensitive materials, boards, or drop-lights to avoid damage caused by steam, heat, or condensate. During operation keep the appliance in an appropriate distance of at least 20 cm on each side.

Do not place any clothes or tissue or other objects under the appliance during the operation, to avoid risk of fire, electric shock and overheating. Do not place the appliance near the edge of the table or counter.

Do not place the appliance or any part of it on or near hot surfaces (e.g. burner, heater, range, or oven). The appliance is heated by built-in electric heating elements. Do not place any part of the appliance (e.g. power base, kettle) on a hot oven or range.

Do not leave the appliance unattended when connected to the power supply. Always unplug the appliance

**FOR HOUSEHOLD USE ONLY**

when it is not in use, and before moving or cleaning the appliance. Always leave the appliance cool down before cleaning. Always ensure that the kettle is filled correctly and the exterior and the electrical connectors of the kettle and power base are dry and clean, before placing the kettle onto the power base.

Do not overfill the kettle. Always observe the MAX filling mark in the interior of the kettle. Otherwise, hot water could splash and overflow, causing severe scalds. Always remove the kettle from the power base and remove the lid filling the kettle. Do not pre-heat the kettle while it is still empty! Always ensure that there are at least 0.2 litres of water in the kettle before operation. Only use the appliance for heating clear water. Do not add any food or food additives. Do not fill milk or any other beverages into the kettle. Do not place any foreign objects into the kettle. There is no warranty claim of the purchaser, if the damaged or defect of the appliance is caused by inappropriate treatment.

The lid can be opened easily by pressing both lid lock buttons simultaneously. Do not force the lid open. Always close the lid, before starting operation.

Do not use abrasive cleaners or cleaning pads for cleaning the appliance or any part of it. DO not clean the appliance with any chemicals (e.g. bleach). Do not use any hard or sharp-edged objects for operation or cleaning.

**DO NOT place the appliance or power cord in an automatic dishwasher.**

### **IMPORTANT SAFEGUARDS FOR ELECTRICAL APPLIANCES**

Carefully read all instructions before opening the appliance and save for further reference

- Place the appliance near a suitable wall power socket and connect the appliance directly to a protected mains power supply with protective conductor (earth/ground) connected properly. For this, always unwind the power cord completely. Do not to use any extension cord or multi socket outlet. Ensure that the voltage rating of your mains power supply corresponds to the voltage requirements of the appliance (220-240V, 50/60Hz, AC, rated for at least 16A).
- The power outlet socket must be installed separately to avoid interference with other appliances.
- Power cords may never be knotted, twisted, pulled, strained or squeezed. Do not let the plug or power cord hang over the edge of the table or counter. Ensure that no one will pull the appliance by the power cord, or entangle in the power cord. Always grasp the plug to disconnect the power cord. Do not touch the power plug or appliance with wet hands while the appliance is connected to the mains power supply.

- Always unplug the appliance and remove the kettle, before moving or cleaning the power base. Do not leave the power base unattended when it is connected to the power supply.
- The power cord may not touch hot surfaces or sharp edges. Do not place the appliance on a power cord. If the power cord is obviously damaged and/or gets hot during operation, replace the power cord completely. DO NOT attempt to repair any power cord! To avoid risk of electric shock: Always immediately wipe dry spilled liquids and condensate. Do not place or immerse the kettle, power base or the power cord in water or any other liquid. DO not spill or drip and liquids on the power cord of exterior of the appliance.

**DO NOT place the appliance or any part of it in an automatic dishwasher.**

### **HIGH TEMPERATURES – RISK OF BURNS**

Do not overfill the kettle (1.7L at the maximum). Press the pouring button several times before pouring to avoid scalds due to splashing hot water.

Always keep the lid closed during operation. Hot steam may escape from the lid and spout. Do not hold your hands, arms and/or face over the appliance during operation to avoid scalds.

Hot water could cause severe burns! Do not leave the appliance unattended, when it is in reach of young children, especially when the water within the kettle is hot!

When heating water to a preselected temperature, due to residual heat of the heating plate the water temperature could still rise even after the kettle automatically switched off. When heating water for the immediate consumption or for preparing baby food, always ensure that the water has the desired temperature.

To avoid the build-up of pressure during heating, the lid of the kettle is not water-tight. When moving the filled kettle, ensure to keep the kettle in an upright, level position to avoid injuries and damage due to spilled hot water.

Always leave the kettle to cool down before cleaning.



[www.highstreettv.com](http://www.highstreettv.com)

Distributed by:  
High Street TV,  
PO Box 724,  
Altrincham,  
WA15 5BJ



Made in China  
Version 3 11/18